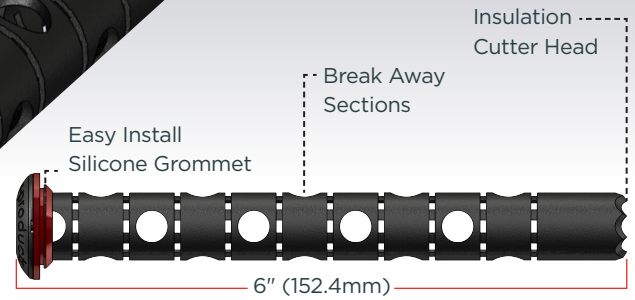




Drainplug



PRODUCT DESCRIPTION

Used alongside metal jacketing and caulking/sealants, the Integrity Products Drainplug provides extra protection against corrosion under insulation (CUI). Made with flame-resistant, non-combustible Polyphenylene Sulfide Black (PPS), Integrity Products Drainplugs allow any water or moisture that penetrates the insulation system to drain out freely.

PRODUCT APPLICATION

To optimize pipe and equipment protection with Integrity Products Drainplugs, install at intervals (maximum interval 3 meters) along horizontal insulated piping, at the lowest point of insulated vessels/bends, and at every insulation stop. Integrity Products Drainplugs can be easily adjusted to insulation thickness.

MATERIAL SPECIFICATIONS

MATERIAL(S)	DIAMETER	TENSILE STRENGTH
Polyphenylene Sulfide Black (PPS)	17 mm	MPA 140 Parameter
COLOUR	WEATHER RESISTANCE	MAXIMUM OPERATING TEMP.
Black	Excellent	250°C 482°F
WALL THICKNESS	UV RESISTANCE	NOTCHED IMPACT STRENGTH
0.75 mm	Excellent	9.5kJ/m ²
LENGTH	CHEMICAL RESISTANCE	
152.4 mm	Excellent	

PRODUCT SIZES

The Drainplug can be adjusted to suit the insulation thickness by breaking or cutting the Drainplug to the required length.

INSTALLATION

1. Cut/drill a 3/4" hole at the desired location in cladding using tin snips or a hole saw *ensure the hole saw only penetrates the cladding.*
2. Insert the saturated end of the Drainplug into the cutout hole and twist to core out the insulation.
3. Adjust the length of the Drainplug by breaking or cutting it to suit the insulation thickness.
4. Install rubber grommet into the cutout hole in the cladding.
5. Insert Drain Plug into rubber grommet *push fully into place.*

